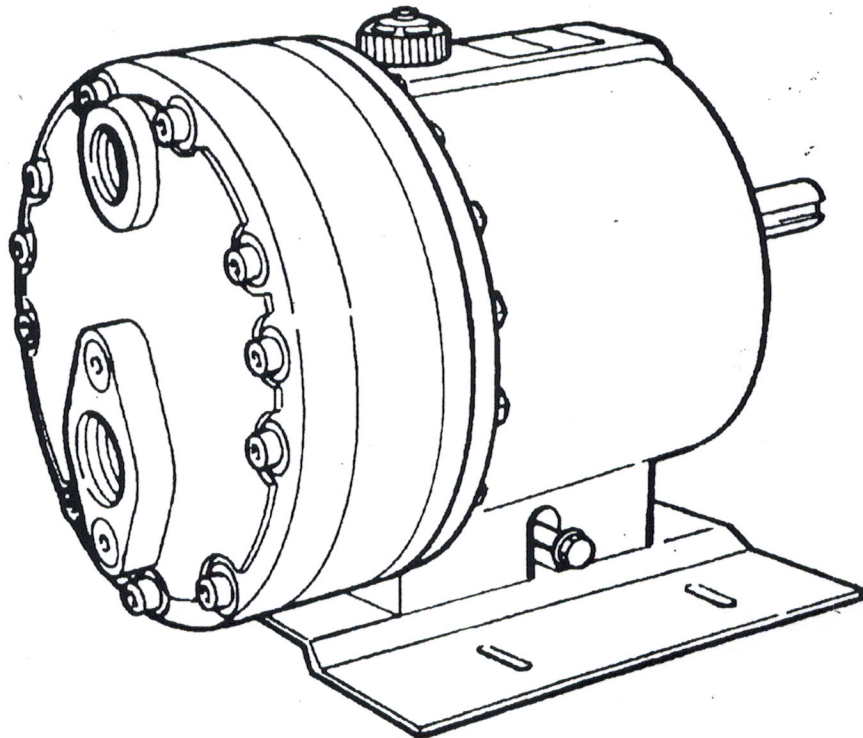


PARTS MANUAL

MODEL G-25

SIMPLY BUILT TO LAST
Hydra-Cell
INDUSTRIAL PUMPS



WANNER ENGINEERING, INC.

1204 Chestnut Avenue, Minneapolis, MN 55403
TEL: (612) 332-5681 FAX: (612) 332-6937
TOLL-FREE FAX [U.S. only]: (800) 332-6812

Parts (Fluid End)

REF. NO.	PART NO.	DESCRIPTION	QTY. PER PUMP
1	G25-081-2010	Cap Screw, socket head, M12 x 1.25 x 110 mm	1
2	G10-084-2010	Washer, 13 cm, flat	1
3	D25-083-2110	O-ring, centerbolt, Buna [⊕]	1
	D25-083-2111	O-ring, centerbolt, Viton [⊕]	1
	D25-083-2112	O-ring, centerbolt, Neoprene [⊕]	1
	D25-083-2113	O-ring, centerbolt, EPDM [⊕]	1
	D25-083-2118	O-ring, centerbolt, Teflon [⊕]	1
4	G25-038-2017	Plug, Hastelloy	1
	G25-038-2211	Plug, SST	1
5	G25-024-2010	Cap Screw, socket-head, M10 x 1.5 x 120 mm	11
6	G25-048-2010	Washer, split-lock, M10	25
7	G25-004-1010	Manifold, brass	1
	G25-004-1022	Manifold, SST	1
	G25-004-1026	Manifold, cast iron	1
	G25-004-1029	Manifold, nickel alloy C series	1
8	D10-083-2110	O-ring, center manifold, Buna [⊕]	1
	D10-083-2111	O-ring, center manifold, Viton [⊕]	1
	D10-083-2112	O-ring, center manifold, Neoprene [⊕]	1
	D10-083-2113	O-ring, center manifold, EPDM [⊕]	1
	D10-083-2118	O-ring, center manifold, Teflon [⊕]	1
9	D25-073-2110	O-ring, inner manifold, Buna	1
	D25-073-2111	O-ring, inner manifold, Viton	1
	D25-073-2112	O-ring, inner manifold, Neoprene	1
	D25-073-2113	O-ring, inner manifold, EPDM	1
	D25-073-2118	O-ring, inner manifold, Teflon	1
10	D25-097-2110	O-ring, outer manifold, Buna [●]	1
	D25-097-2111	O-ring, outer manifold, Viton [●]	1
	D25-097-2112	O-ring, outer manifold, Neoprene [●]	1
	D25-097-2113	O-ring, outer manifold, EPDM [●]	1
	D25-097-2118	O-ring, outer manifold, Teflon [●]	1
11	D25-035-2110	O-ring, valve seat, Buna	6
	D25-035-2111	O-ring, valve seat, Viton	6
	D25-035-2112	O-ring, valve seat, Neoprene	6
	D25-035-2113	O-ring, valve seat, EPDM	6
	D25-035-2118	O-ring, valve seat, Teflon	6
12	D25-020-1010	Valve Seat, 17-4 HT	6
	D25-020-1012	Valve Seat, Nitronic 50	6
	D25-020-1017	Valve Seat, Hastelloy C	6
	D25-020-3300	Valve Seat, ceramic	6
13	D25-021-1010	Valve, 17-7 HT, stamped	6
	D25-021-1011	Valve, Nitronic 50	6
	D25-021-1015	Valve, 17-4 HT, machined	6
	D25-021-1017	Valve, Hastelloy C	6
	D25-021-3300	Valve, ceramic	6
14	D25-022-3110	Valve Spring, 17-7 HT	6
	D25-022-3114	Valve Spring, Elgiloy	6
	D25-022-3115	Valve Spring, Hastelloy	6
15	D25-092-2110	Tetra Seal, Buna	6
	D25-092-2111	Tetra Seal, Viton	6
	D25-092-2112	Tetra Seal, Neoprene	6
	D25-092-2113	Tetra Seal, EPDM	6
	D25-092-2118	O-ring, Teflon (not a "Tetra Seal")	6
16	D25-023-1010	Retainer, valve spring, 17-7 HT	6
	D25-023-1017	Retainer, valve spring, Hastelloy C	6
	D25-023-2310	Retainer, valve spring, Celcon	6
	D25-023-2315	Retainer, valve spring, Noryl	6
	D25-023-2316	Retainer, valve spring, Nylon	6
	D25-023-2317	Retainer, valve spring, polypropylene	6

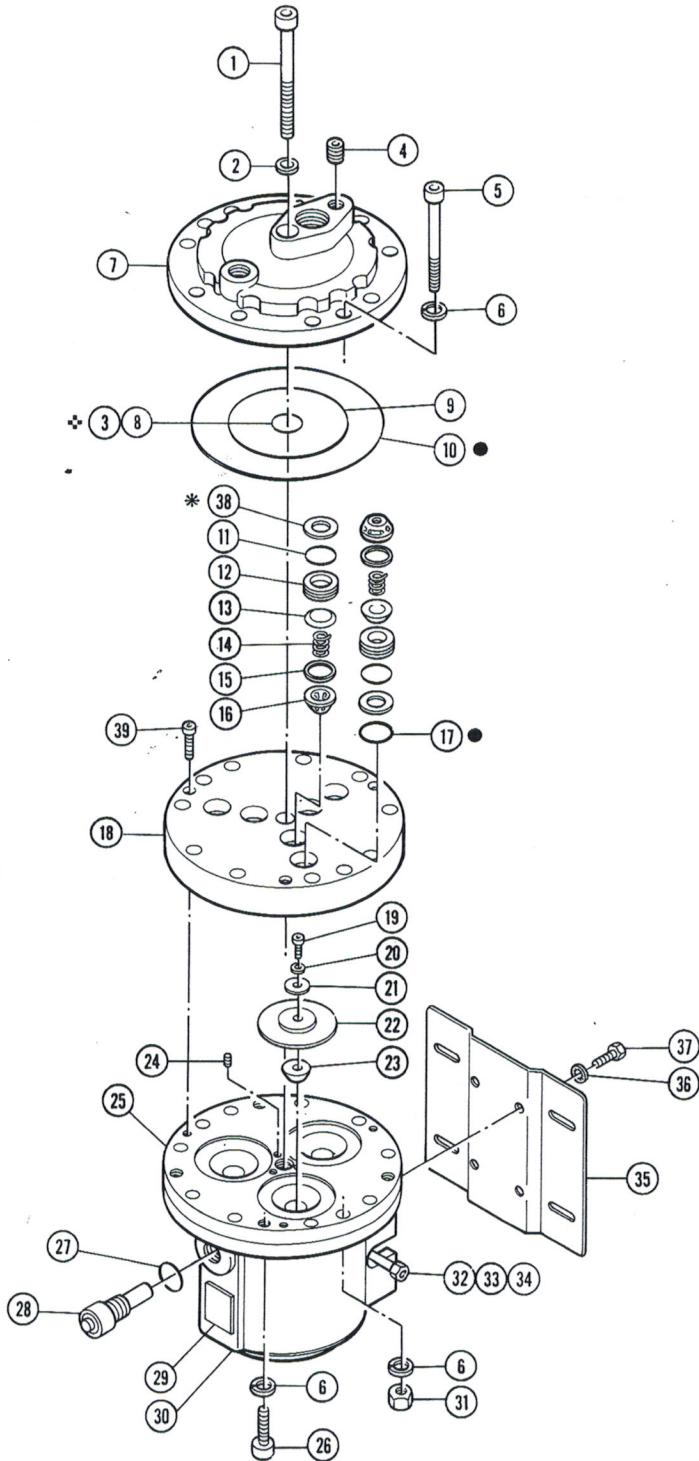
See Page 3 for clarification of other symbols.

REF. NO.	PART NO.	DESCRIPTION	QTY. PER PUMP
17	D25-074-2110	O-ring, outlet valve, Buna [●]	3
	D25-074-2111	O-ring, outlet valve, Viton [●]	3
	D25-074-2112	O-ring, outlet valve, Neoprene [●]	3
	D25-074-2113	O-ring, outlet valve, EPDM [●]	3
	D25-074-2118	O-ring, outlet valve, Teflon [●]	3
18	D25-003-1010	Valve Plate, brass	1
	D25-003-1012	Valve Plate, SST	1
	D25-003-1016	Valve Plate, cast iron	1
	D25-003-1029	Valve Plate, nickel alloy C series	1
19	D25-030-2010	Screw, flat-head mach., 5/8", 316 SST	3
	D25-030-2011	Screw, flat-head mach., 5/8", Hast. C	3
20	D25-047-2110	O-ring, follower, Buna	3
	D25-047-2111	O-ring, follower, Viton	3
	D25-047-2112	O-ring, follower, Neoprene	3
	D25-047-2113	O-ring, follower, EPDM	3
	D25-047-2118	O-ring, follower, Teflon	3
21	D25-017-1010	Follower, 316 SST	3
	D25-017-1011	Follower, Hastelloy C	3
22	D25-018-2310	Diaphragm, Buna-N	3
	D25-018-2311	Diaphragm, Viton	3
	D25-018-2312	Diaphragm, Neoprene	3
	D25-018-2313	Diaphragm, EPDM	3
	D25-018-2315	Diaphragm, Viton-Xt	3
	D25-018-2318	Diaphragm, Teflon	3
	D25-018-2320	Diaphragm, Buna-N-XS	3
23	D25-016-1010	Plunger	3
24	G25-082-2010	Set Screw, M6 x 1 x 16 mm	3
25	G25-002-1010	Cylinder Casting	1
	G25-002-1210	Cylinder Casting Assembly, Buna [#]	-
26	G10-087-2010	Cap Screw, socket-head, M10 x 1.5 x 30 mm	4
27	D10-080-2110	O-ring, oil fill, Buna	1
	D10-080-2111	O-ring, oil fill, Viton	1
28	D10-039-1210	Cap, oil fill (includes breather)	1
29	D10-040-2410	Name Plate	1
30	G25-001-1011	Pump Housing	1
	G25-001-1211	Pump Housing Assembly [§]	-
31	G10-028-2010	Nut, hex, M10	10
32	D25-076-2210	Elbow, 3/8"	1
33	D25-077-2210	Pipe, 3/8"	1
34	D25-078-2210	Cap, 3/8"	1
35	D25-025-1010	Base	1
36	G25-054-2010	Washer, shakeproof, M10	4
37	G10-029-2010	Cap Screw, hex-head, M10 x 1.5 x 25 mm	4
38	D25-125-1011	Washer, dampening, 316 SST [*]	6
	D25-125-2310	Washer, dampening, Delrin [*]	6
	D25-125-2315	Washer, dampening, Noryl [*]	6
	D25-125-2316	Washer, dampening, Nylon [*]	6
	D25-125-2317	Washer, dampening, polypropylene [*]	6
39	G25-088-2010	Cap Screw, socket-head, M6 x 1 45 mm	3

Cylinder Casting Assembly includes cylinder casting (25), bearing cup, adjusting plate (61), O-ring (60), and set screws (24).

§ Pump Housing Assembly includes housing (30), drain plug (32,33,34), and bearing cup.

**MODEL G-25
WITH STANDARD
VALVE ASSEMBLIES**

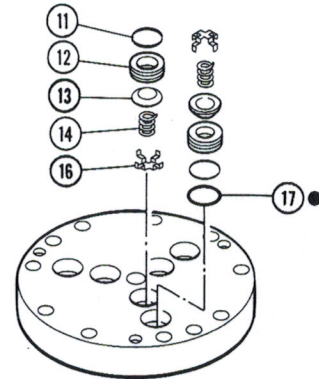


✦ With brass pump heads, use #8;
with all other heads, use #3.

● With cast iron pump heads, use #17 and not #10;
with all other heads, use #10 and not #17.

* Not required on all pumps.

**VALVE ASSEMBLIES
WITH
METAL SPRING RETAINERS**

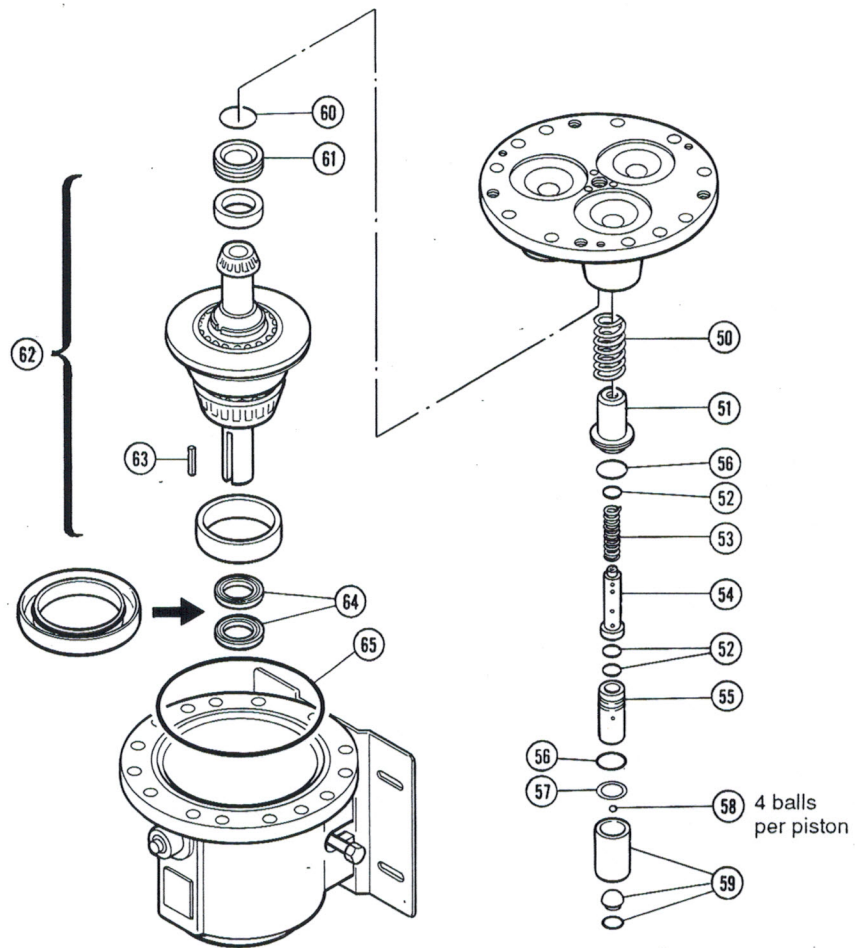


Parts (Hydraulic End)

REF. NO.	PART NO.	DESCRIPTION	QTY. PER PUMP
50	D25-019-3111	Spring, piston return	3
51	D25-042-1010	Retainer, spring	3
52	D25-046-2110	O-ring, valve cylinder, Buna	9
53	D25-045-3110	Spring, sleeve valve	3
54	D25-044-1010	Valve Plunger	3
55	D25-043-1010	Cylinder, valve	3
56	D25-034-2110	O-ring, Buna	6
57	D25-041-1010	Washer, ball retainer	3
58	D25-015-3010	Ball, 1/4"	12
59	D25-014-1209	Piston, with foot and retainer	3
	D25-014-1210	Piston Assembly, Buna [#]	-
60	D25-075-2110	O-ring, bearing adjusting plate, Buna	1
61	D25-012-1010	Bearing Adjusting Plate	1
62	H25-007-1210	Cam Assembly, 75.7 l./min @ 1050 RPM [§]	1
	H25-007-1212	Cam Assembly, 45.4 l./min @ 1200 RPM [§]	1
	H25-007-1213	Cam Assembly, 60.5 l./min @ 1200 RPM [§]	1
	H25-007-1214	Cam Assembly, 75.7 l./min @ 1200 RPM [§]	1
63	D25-085-2210	Key, shaft	1
64	H25-031-2112	Seal, Buna, 1-1/8"	2
65	D25-037-2110	O-ring, pump housing, Buna	1
—	D25-111-2400	Label, caution	1

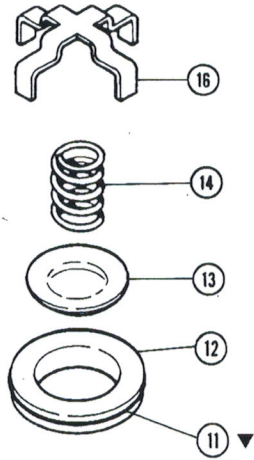
Piston Assembly includes cylinder, foot, valve plunger, O-rings, spring retainer, and springs (50 - 59).

§ Cam Assembly includes cam, shaft, wobble plate, and bearings. This is only available as an assembly.



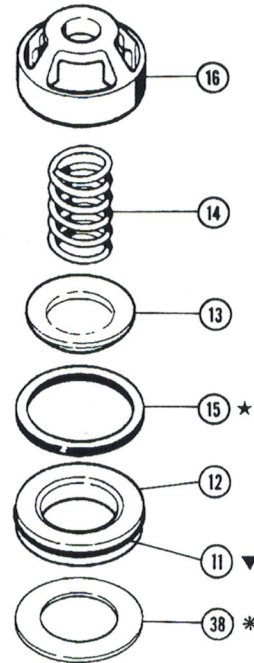
MODEL G-25 VALVE ASSEMBLIES

Valve Assembly with
metal spring retainer



- ★ Tetra seal (15) is used only with plastic retainers.
- ▼ O-ring (11) is shown installed on valve seat (12).
- * Not required on all pumps.

Valve Assembly with
Celcon (plastic) spring retainer
and dampening washer (38)



IMPORTANT

Record your Pump Model No. and Serial No. here for
easy reference:

MODEL NO. G-25

SERIAL NO. _____

DATE OF PURCHASE _____

When ordering parts or making inquiries about this
pump, please mention the Model and Serial Numbers.